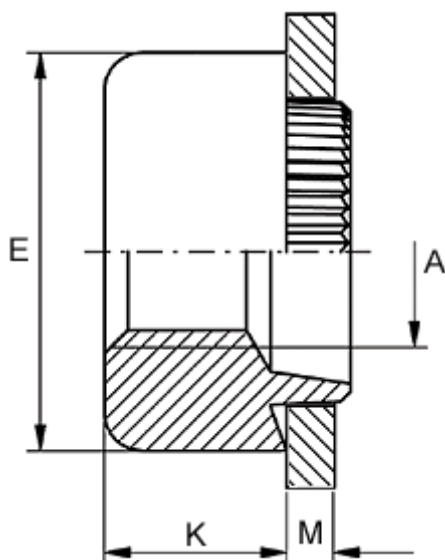


Article number: 12709000140500  
Description: KLEE-coil 709 000 140.500  
M14 St. steel 1.4305

## Measures



Female thread A	= M14
Height K	= 10.0
Outer diameter E	= 25.0
Plate thickness	= 2.3 to 2.5
Recommended bore diameter for extreme load	= 19.0
Recommended bore diameter for normal use	= 20.0